

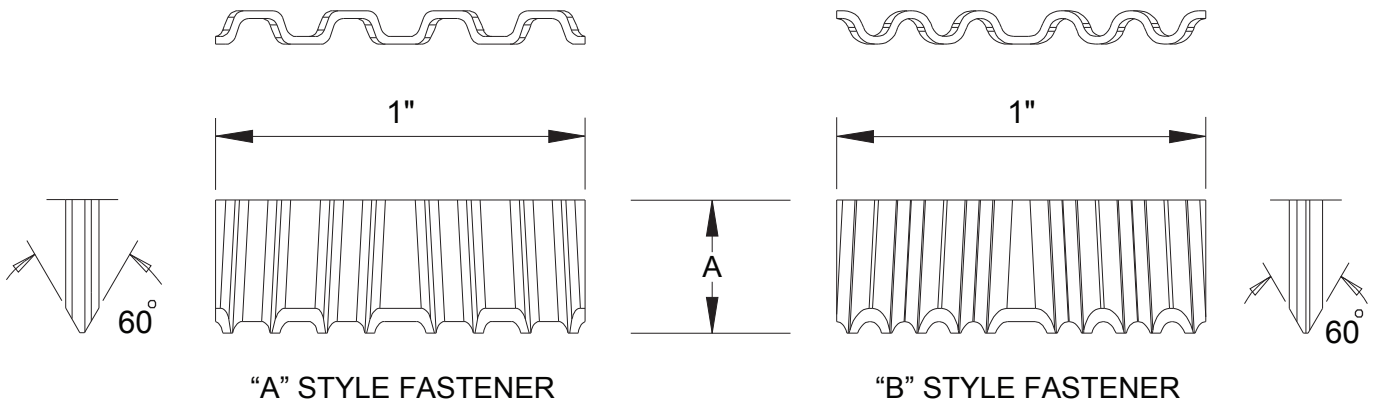
CORRUGATED FASTENERS

1" Width, Corrugated Fastener (BeA Style)

Use with the following UNICATCH tools: CF-15S

| ITEM# | DESC. | LENGTH | WT/CTN | M/BX | BXS/CTN | PLT Q'TY | LIST PRICE | |
|-------|-------|--------|--------|-------|---------|--------------|------------|----------|
| | | A | (LBS) | | | (BY CARTONS) | PER/M | PER/CTN |
| 86524 | W06 | 1/4" | 21 | 12.96 | 1 | 85 | \$8.49 | \$110.00 |
| 86526 | W09 | 3/8" | 21 | 9.21 | 1 | 85 | \$11.94 | \$110.00 |
| 86528 | W12 | 1/2" | 21 | 6.91 | 1 | 85 | \$15.92 | \$110.00 |

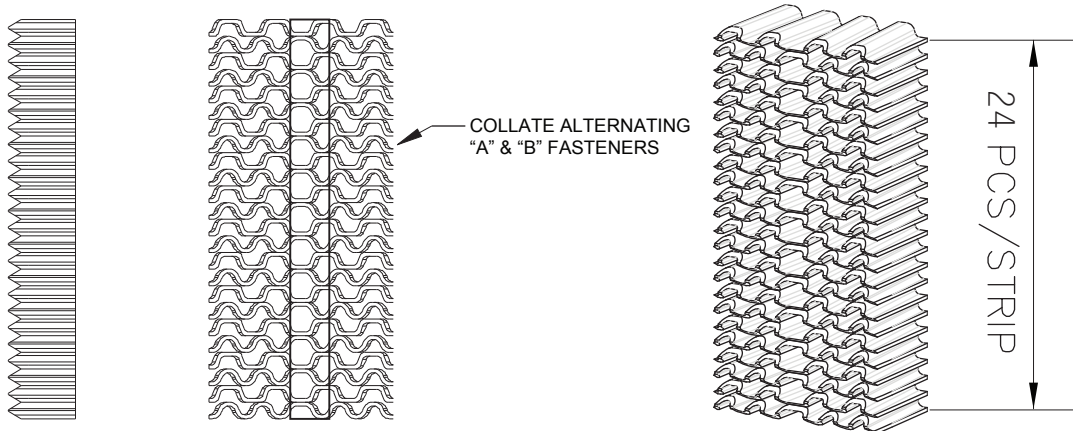
Scale 200%



"A" STYLE FASTENER

"B" STYLE FASTENER

Actual Size



COLLATE ALTERNATING "A" & "B" FASTENERS

24 PCS / STRIP

****Stainless steel available on special order. Please call for quote and availability****